



TRINITY GLASS INTERNATIONAL

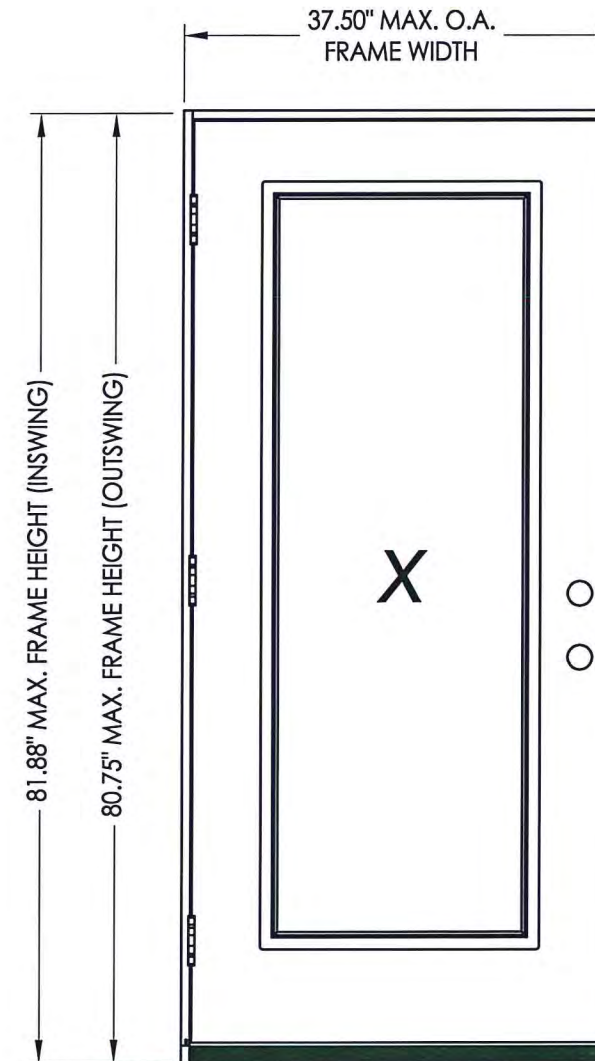
33615 1st Way S, Federal Way, WA 98003

GLAZED FIBERGLASS DOOR INSWING / OUTSWING "NON-IMPACT"

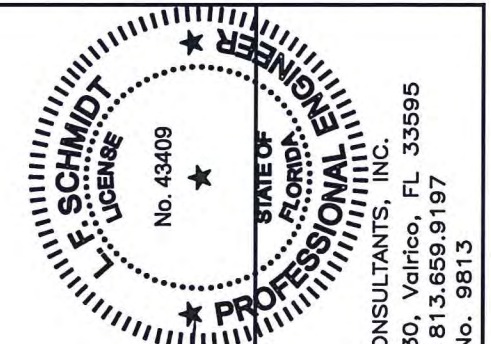
GENERAL NOTES

1. This product has been evaluated and is in compliance with the 5th Edition (2014) Florida Building Code (FBC) structural requirements including the "High Velocity Hurricane Zone" (HVHZ).
2. Product anchors shall be as listed and spaced as shown on details. Anchor embedment to base material shall be beyond wall dressing or stucco.
3. When used in the "HVHZ" this product is required to be protected with an impact resistant covering that complies with Section 1626 of the FBC.
4. When used in areas outside of the "HVHZ" requiring wind borne debris protection this product is required to be protected with an impact resistant covering that complies with Section 1609.1.2 of the FBC.
5. For 2x stud framing construction, anchoring of these units shall be the same as that shown for 2x buck masonry construction.
6. Site conditions that deviate from the details of this drawing require further engineering analysis by a licensed engineer or registered architect.
7. Outswing configuration using threshold item #25 meet water infiltration requirements for "HVHZ".
8. Inswing configurations and outswing configuration using threshold item #27 do not meet the water infiltration requirements for the "HVHZ" and shall be installed only in non-habitable areas or at habitable locations protected by an overhang or canopy such that the angle between the edge of canopy or overhang to sill is less than 45 degrees.

TABLE OF CONTENTS	
SHEET#	DESCRIPTION
1	Typical elevations, design pressures & general notes
2	Door panel details - flush glazing
3	Door panel details - lip lite glazing
4	Horizontal cross sections
5	Vertical cross sections
6	Buck and frame anchoring
7	Components
8	Bill of materials



MAX. FRAME DIMENSION	JAMB TYPE	DESIGN PRESSURE (PSF) FLUSH GLAZED FRAME		DESIGN PRESSURE (PSF) LIP LITE GLAZED FRAME	
		POSITIVE	NEGATIVE	POSITIVE	NEGATIVE
		37.50" x 81.88"	WOOD	+ 70.0	- 70.0
PVC FIBERGLASS/COMP	+ 60.0		- 60.0	+ 47.0	- 47.0



Documents Prepared By:
Lyndon F. Schmidt
P.E. No. 43409

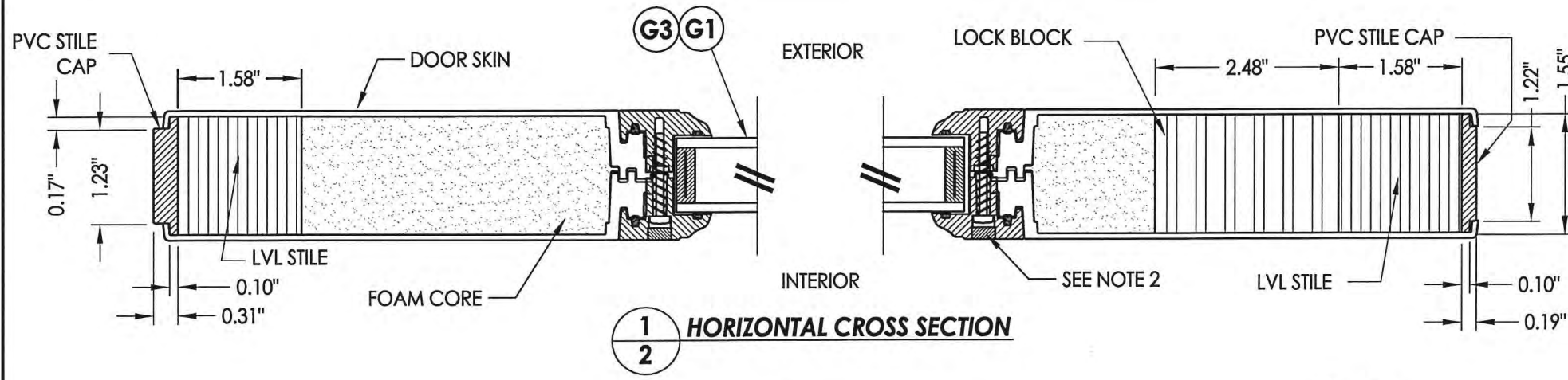
RW
BUILDING CONSULTANTS, INC.
P.O. Box 230, Valrico, FL 33595
Phone No.: 813.659.9197
FBPE C.A. No. 9813

PRODUCT: TRINITY GLASS INT'L

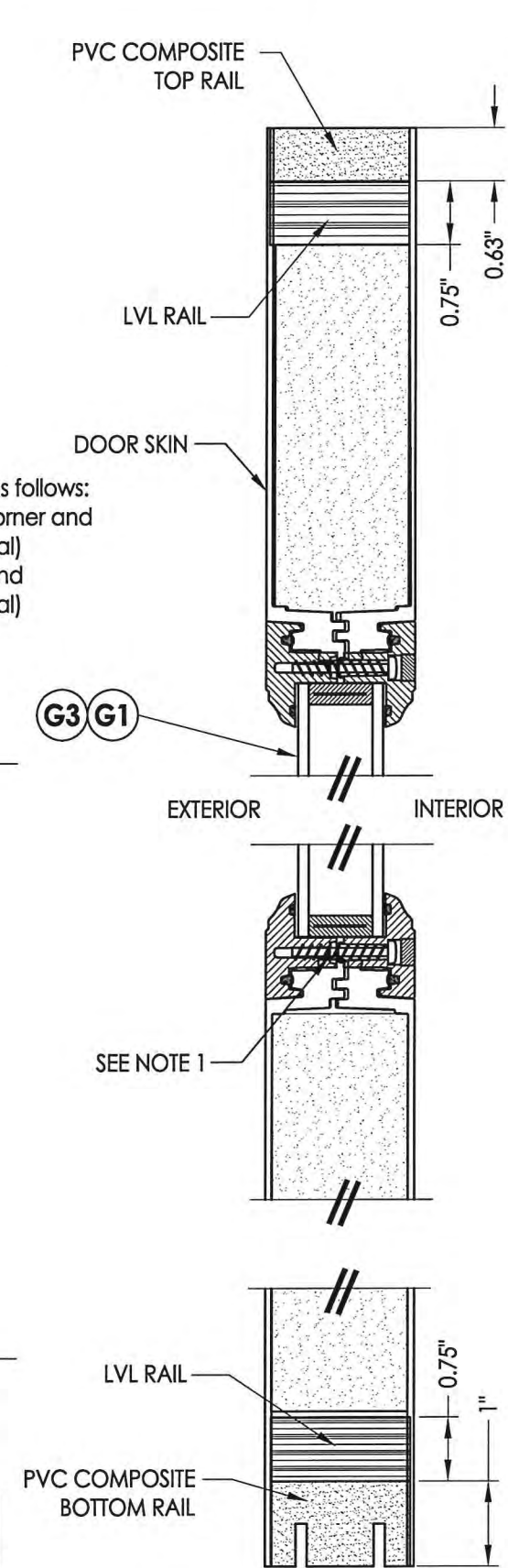
PART OR ASSEMBLY:
TYPICAL ELEVATION, DESIGN PRESSURES & GENERAL NOTES

NO.	DATE	REVISIONS
1	03/02/15	UPDATE TO 5TH ED. (2014) FBC

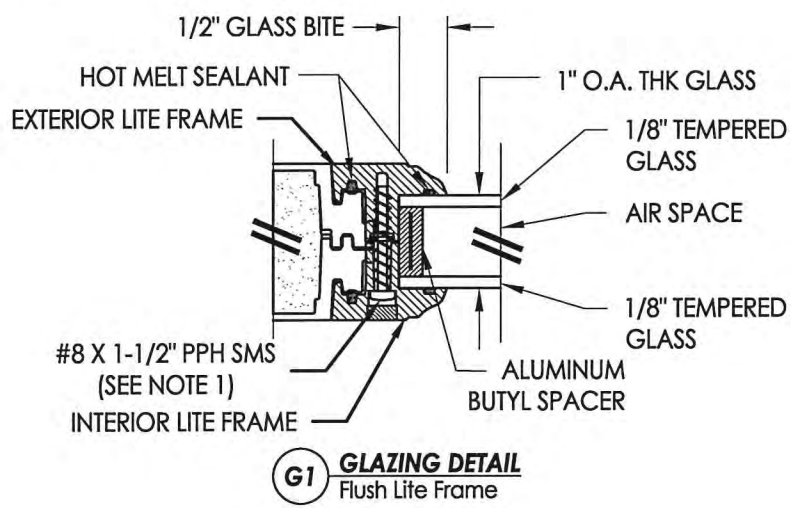
DATE: 2/27/12
SCALE: N.T.S.
DWG. BY: JK
CHK. BY: LFS
DRAWING NO.: FL-15255.13
SHEET 1 OF 8



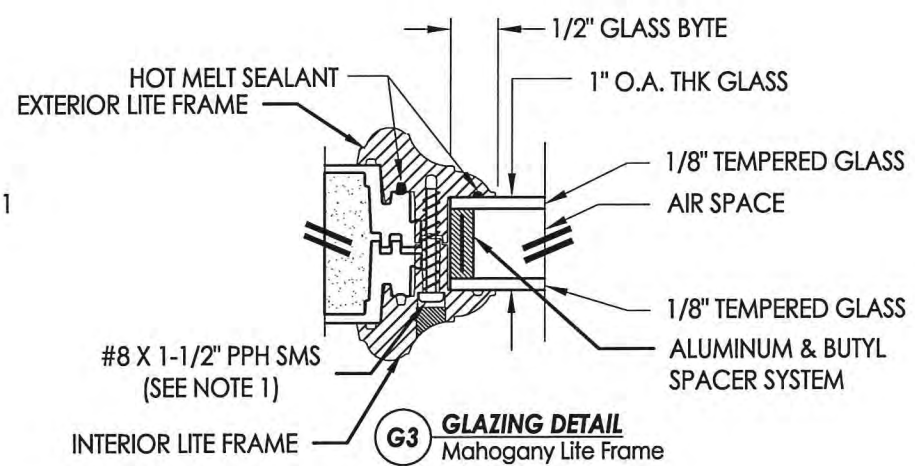
1 HORIZONTAL CROSS SECTION
2



2 VERTICAL CROSS SECTION
2

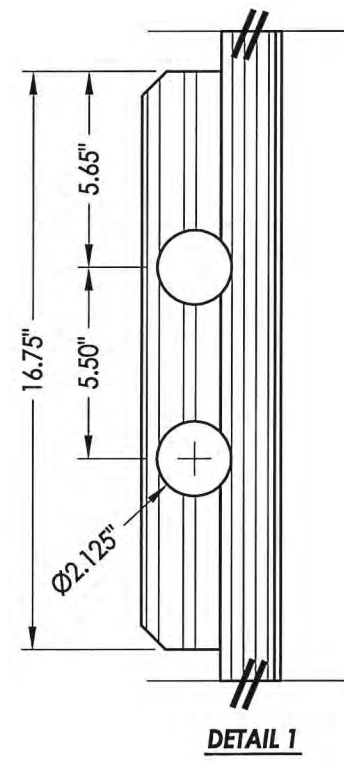


G1 GLAZING DETAIL
Flush Lite Frame

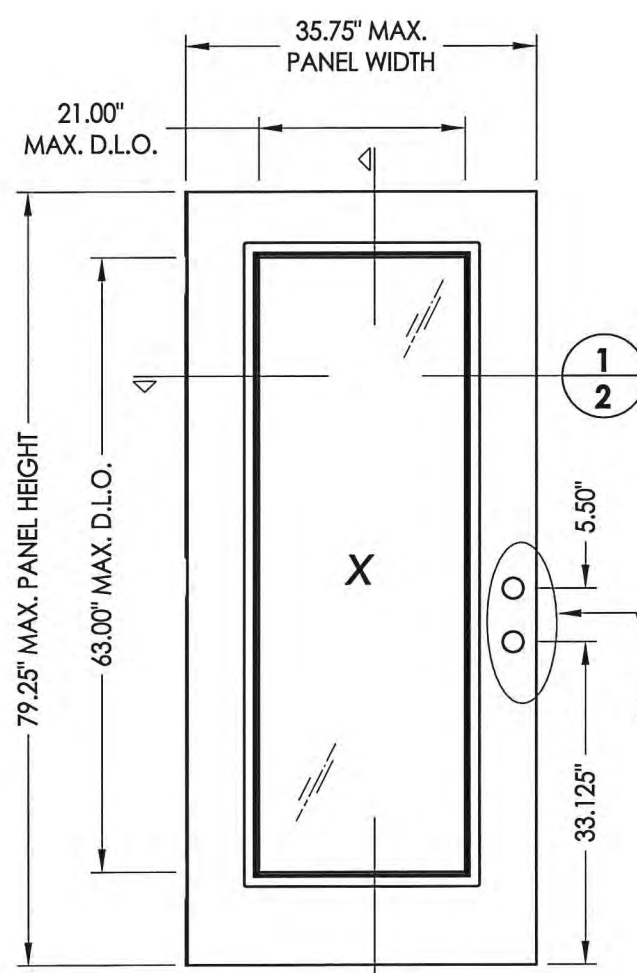


G3 GLAZING DETAIL
Mahogany Lite Frame

NOTES:
1. Spacing for lite frame screws is as follows:
Top/Bottom: 2-3/4" from each corner and equally spaced thereafter (4 total)
Sides: 2-3/4" from each corner and equally spaced thereafter (8 total)



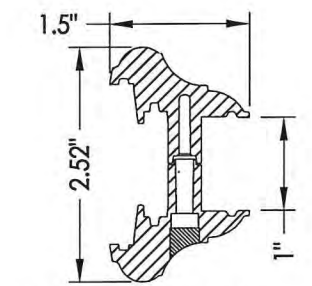
DETAIL 1



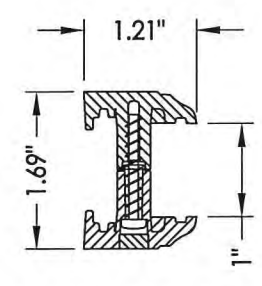
1
2

40 FIBERGLASS DOOR
with FLUSH GLAZING

FIBERGLASS DOOR SKIN: MIN. 0.079" THK.
FOAM CORE MATERIAL: POLYURETHANE



MAHOGANY LITE FRAME
ABS or PC/ASA



FLUSH LITE FRAME
ABS or PC/ASA

HARDWARE CHART	
MANUFACTURER	MODEL
KWIKSET	KNOB: SIGNATURE SERIES DEADBOLT: SIGNATURE SERIES (980)

No. 43409
 STATE OF FLORIDA
 PROFESSIONAL ENGINEER

Documents Prepared By:
 Lyndon F. Schmidt
 P.E. No. 43409

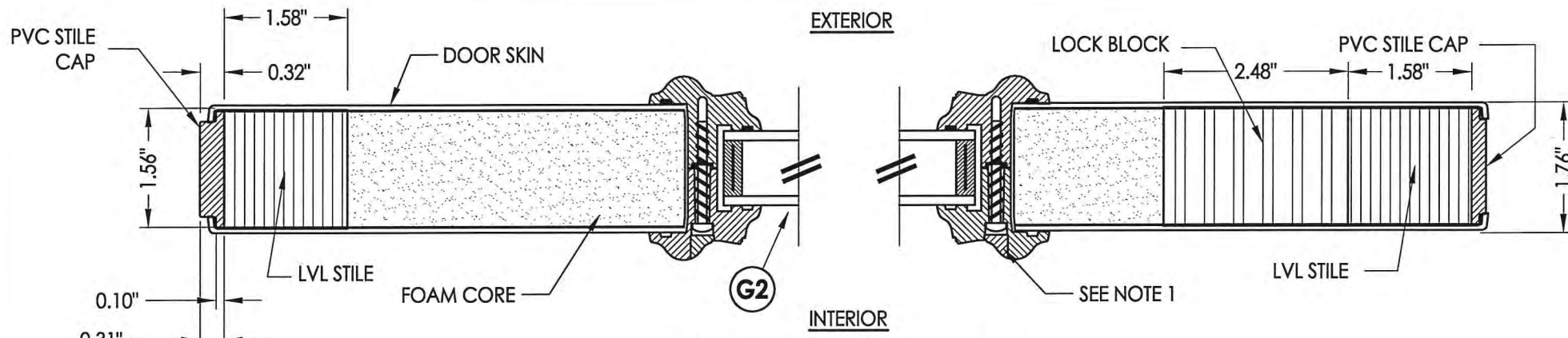
BUILDING CONSULTANTS, INC.
 P.O. Box 230, Valrico, FL 33595
 Phone No.: 813.659.9197
 FBPE C.A. No. 9813

PRODUCT:	TRINITY GLASS INT'L
PART OR ASSEMBLY:	DOOR PANEL DETAILS FLUSH GLAZING

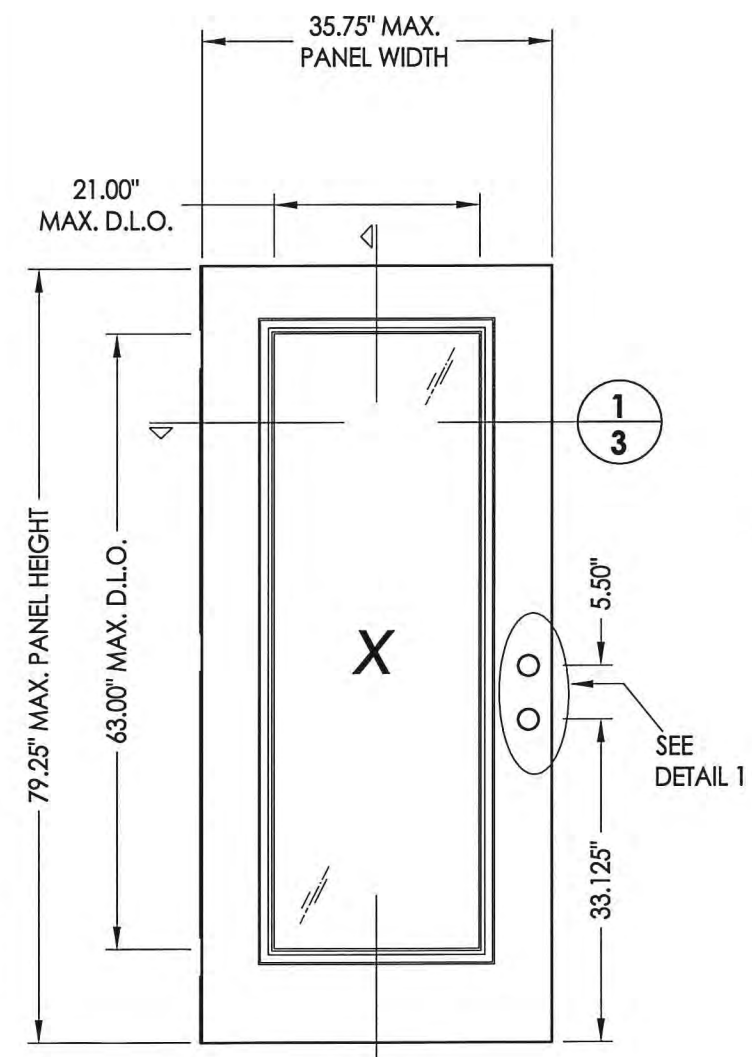
NO.	DATE	BY	REVISIONS
1	03/02/15	FBC	UPDATE TO 5TH ED. (2014)

DATE:	2/27/12
SCALE:	N.T.S.
DWG. BY:	JK
CHK. BY:	LFS
DRAWING NO.:	FL-15255.13
SHEET	2 OF 8

R:\Clients\Trinity PERMANENT\Florida Product Approvals\FL-15255\C - Drawings\FL-15255\FL-15255.13-16.dwg, 3.5

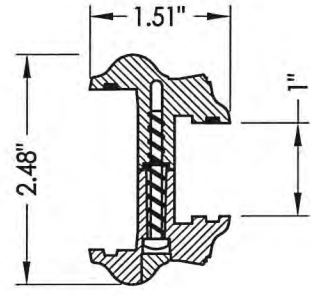


1
3 HORIZONTAL CROSS SECTION

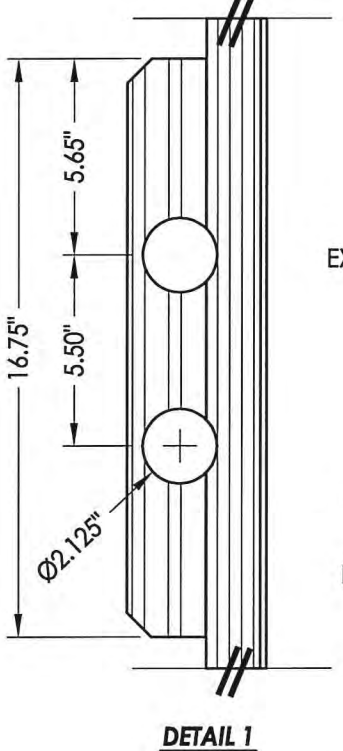


2
3 FIBERGLASS DOOR PANEL with LIP LITE GLAZING

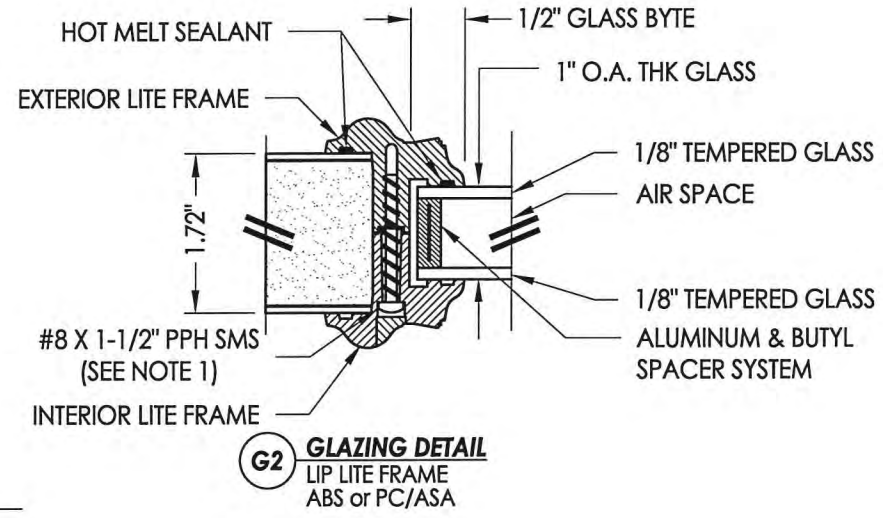
FIBERGLASS DOOR SKIN: MIN. 0.079\" THK.
FOAM CORE MATERIAL: POLYURETHANE



LIP LITE FRAME
ABS or PC/ASA



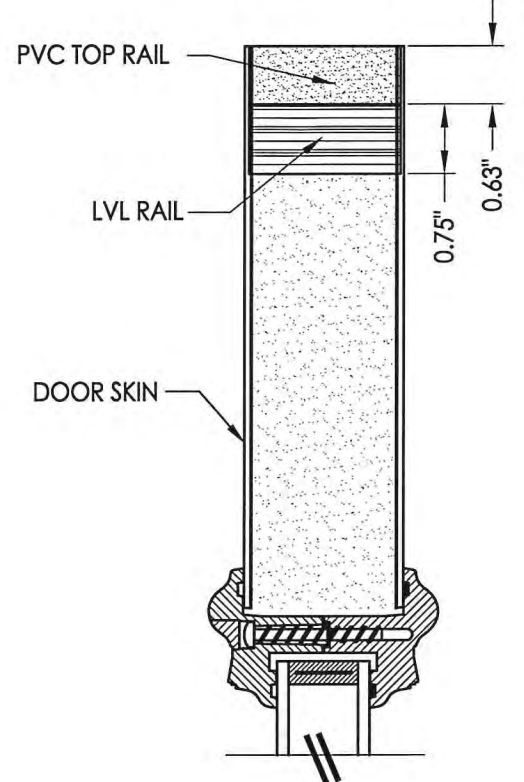
DETAIL 1



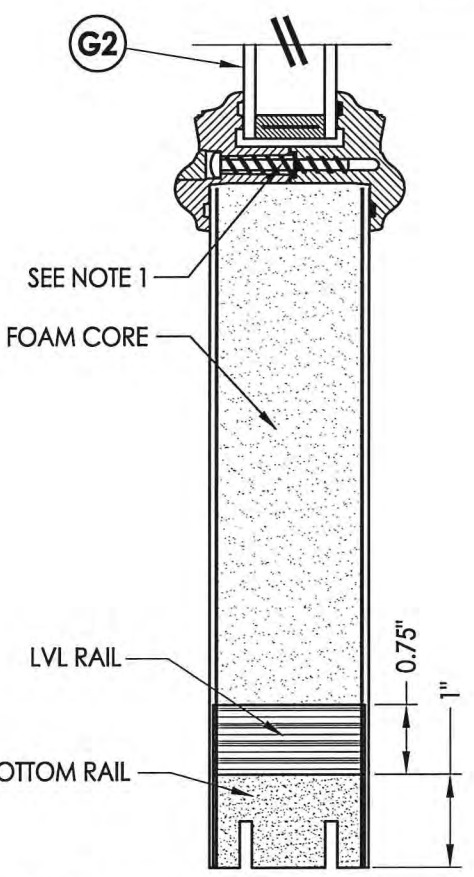
G2 GLAZING DETAIL
LIP LITE FRAME
ABS or PC/ASA

HARDWARE CHART	
MANUFACTURER	MODEL
KWIKSET	KNOB: SIGNATURE SERIES DEADBOLT: SIGNATURE SERIES (980)

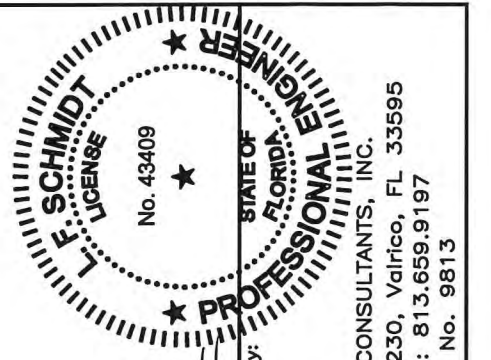
NOTE:
1. Spacing for lite frame screw is as follows:
Top and Bottom: 2\" from each corner and at centerline (3 total)
Sides: 2\" from each corner and equally spaced thereafter (8 total)



EXTERIOR INTERIOR



2
3 VERTICAL CROSS SECTION



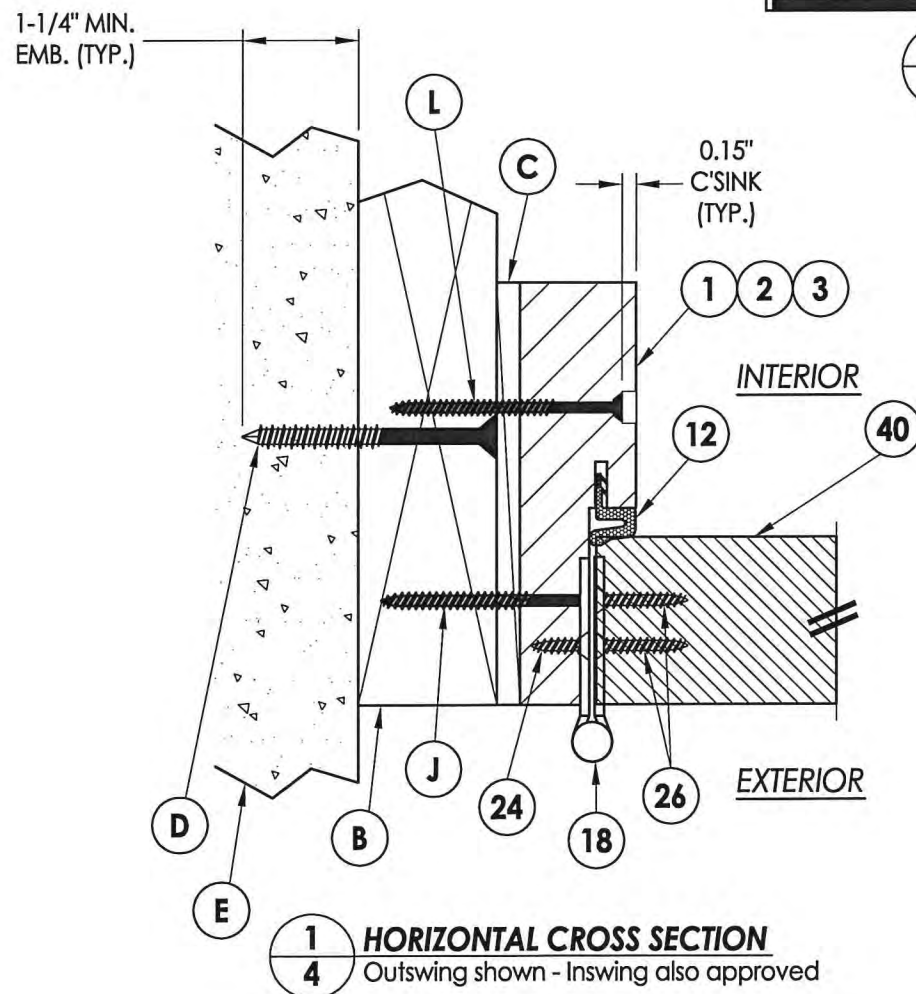
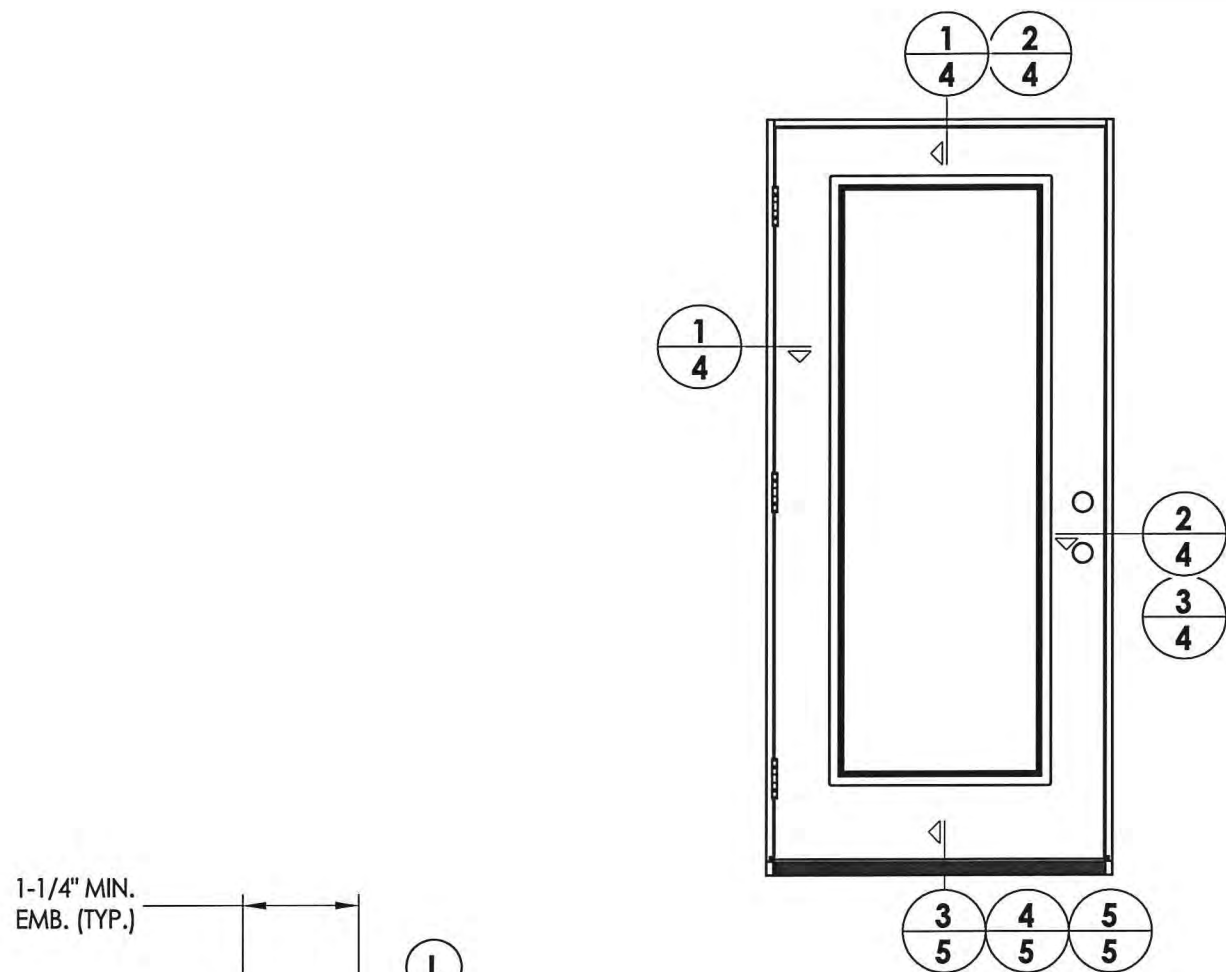
Documents Prepared By:
Lyndon F. Schmidt
P.E. No. 43409

RW BUILDING CONSULTANTS, INC.
P.O. Box 230, Valrico, FL 33595
Phone No.: 813.659.9197
FBPE C.A. No. 9813

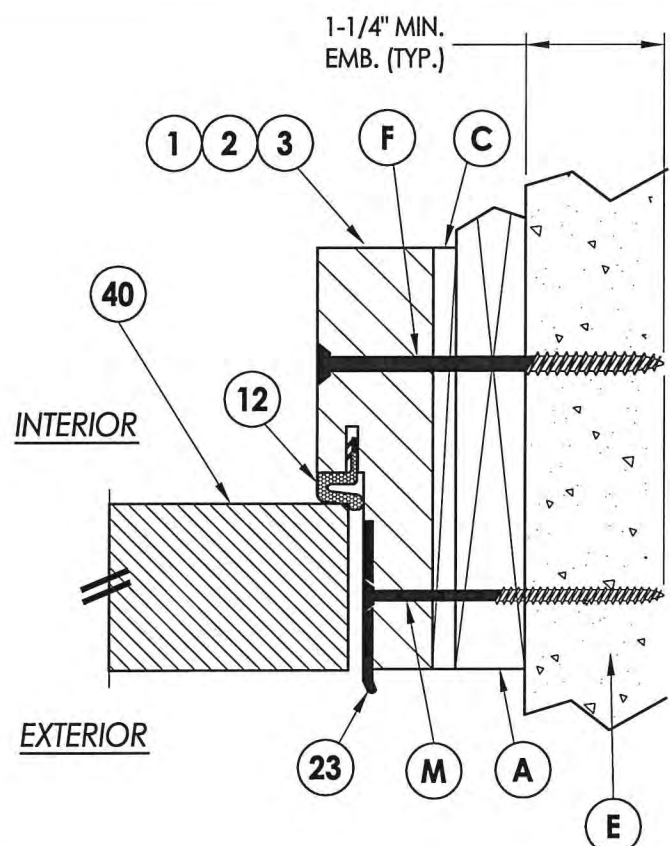
PRODUCT: TRINITY GLASS INT'L
PART OR ASSEMBLY: DOOR PANEL DETAILS
LIP LITE GLAZING

NO.	DATE	BY	REVISIONS
1	03/02/15	JK	UPDATE TO 5TH ED. (2014) FBC

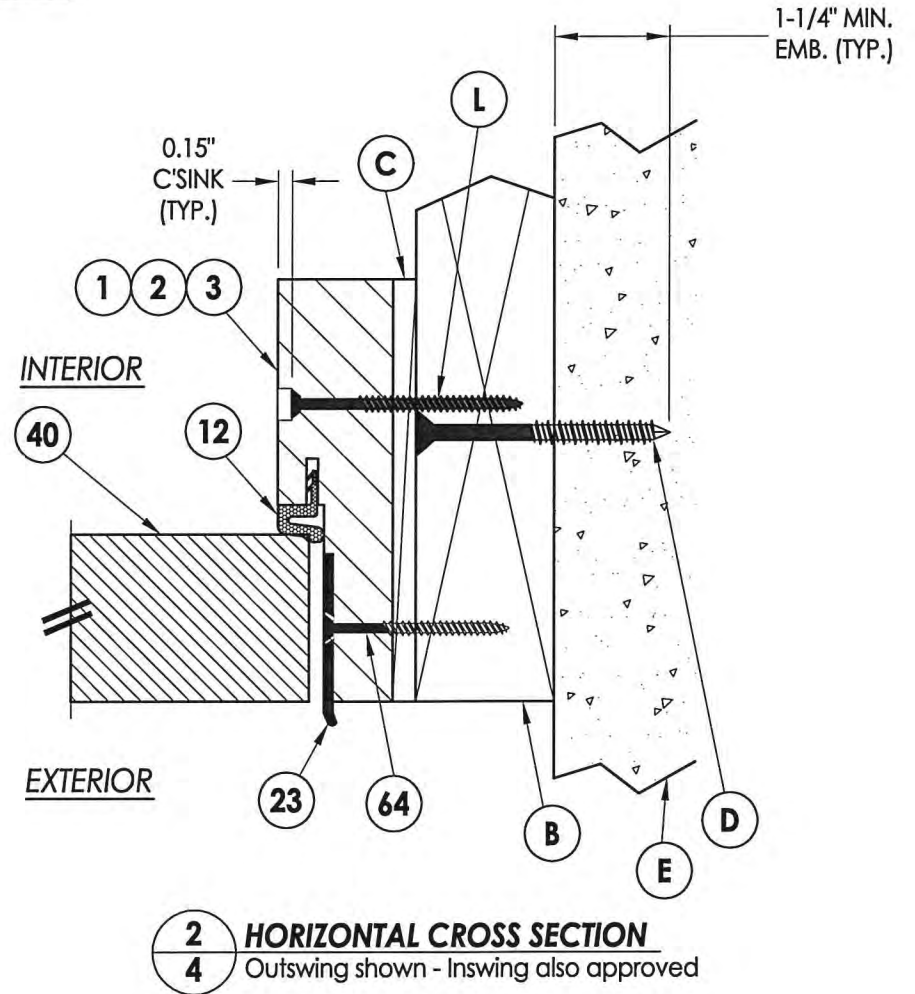
DATE: 2/27/12
SCALE: N.T.S.
DWG. BY: JK
CHK. BY: LFS
DRAWING NO.: FL-15255.13
SHEET 3 OF 8



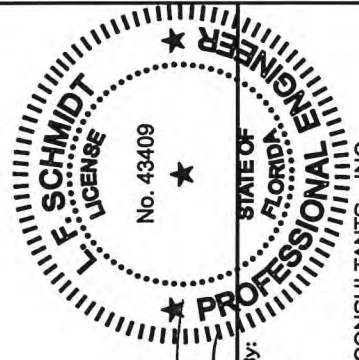
1 HORIZONTAL CROSS SECTION
4 Outswing shown - Inswing also approved



3 HORIZONTAL CROSS SECTION
4 Shown w/1X sub-buck



2 HORIZONTAL CROSS SECTION
4 Outswing shown - Inswing also approved

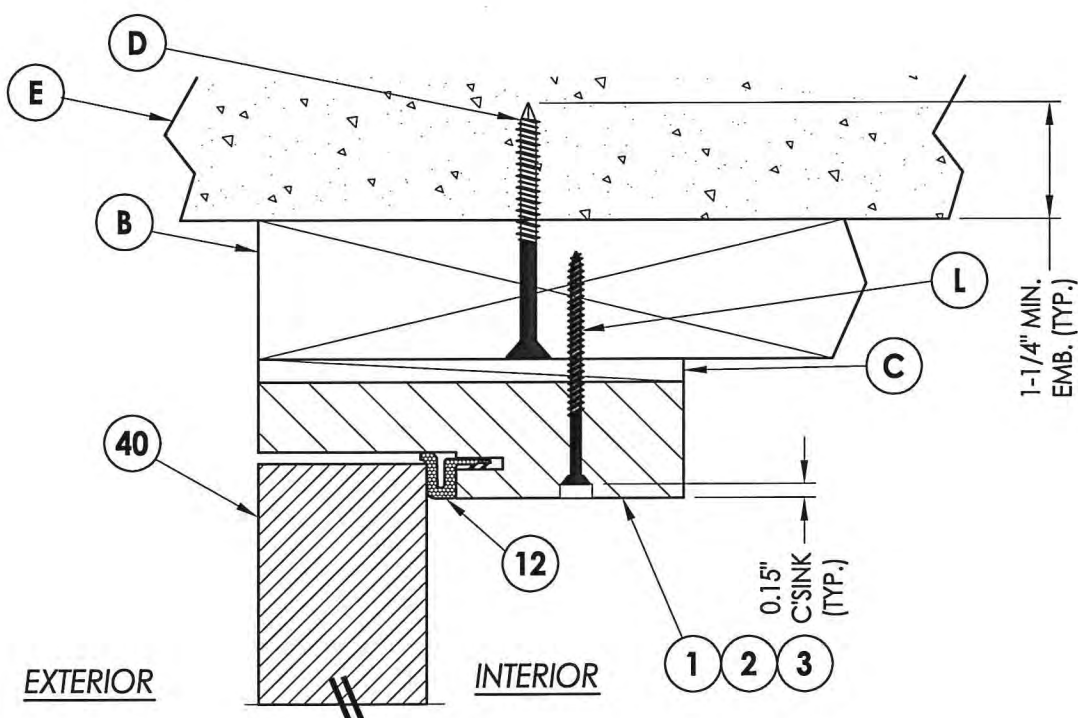


Documents Prepared By:
 Lyndon F. Schmidt
 P.E. No. 43409

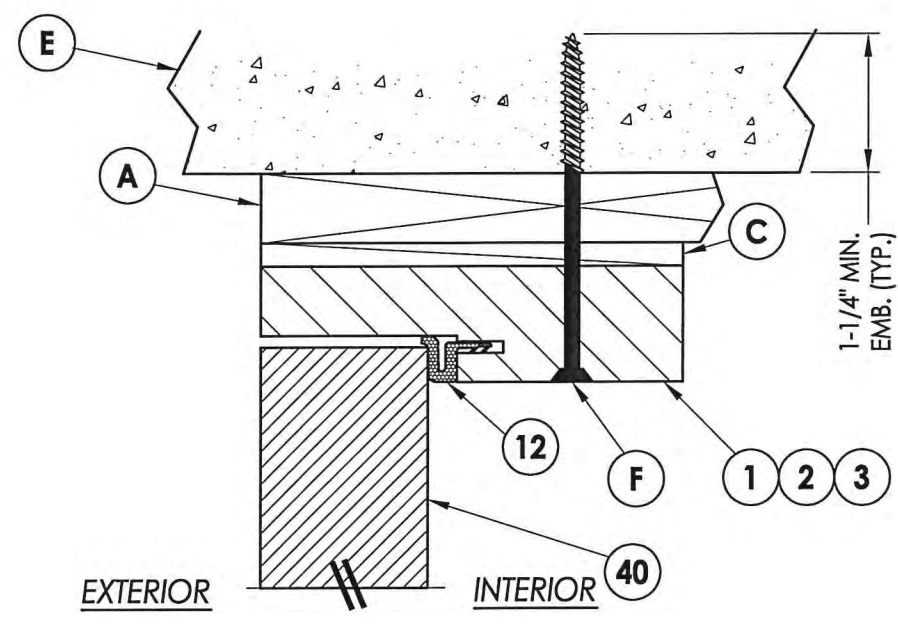
R.W. BUILDING CONSULTANTS, INC.
 P.O. Box 230, Vairico, FL 33595
 Phone No.: 813.659.9197
 FBPE C.A. No. 9813

PRODUCT:	TRINITY GLASS INT'L	
PART OR ASSEMBLY:	HORIZONTAL CROSS SECTIONS	
DATE:	2/27/12	
SCALE:	N.T.S.	
DWG. BY:	JK	
CHK. BY:	LFS	
DRAWING NO.:	FL-15255.13	
SHEET	4 OF 8	
NO.	DATE	BY
1	03/02/15	JK
REVISIONS		
UPDATE TO 5TH ED. (2014) FBC		

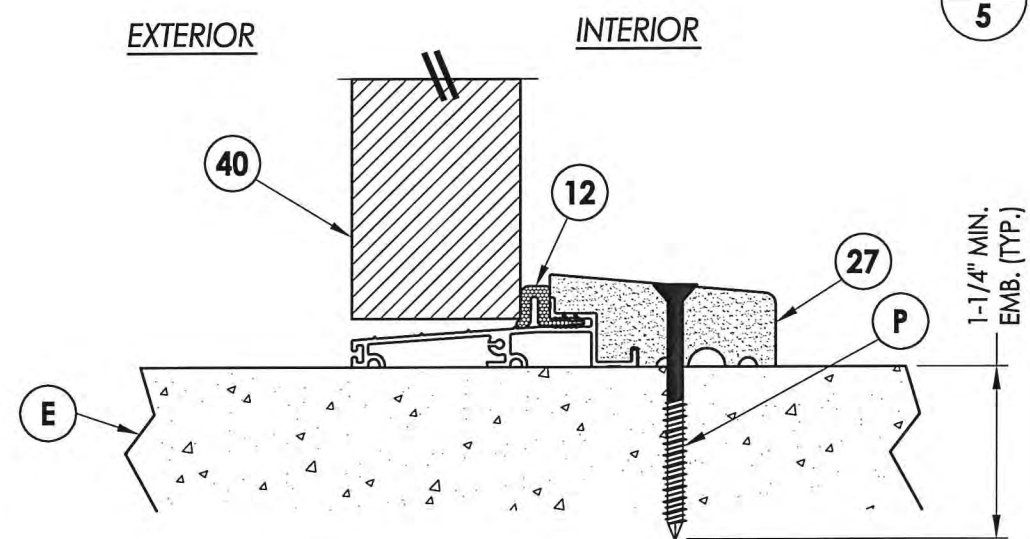
R:\Clients\Trinity PERMANENT\Florida Product Approvals\FL-15255\C - Drawings\FL-15255\FL-15255-13-16.dwg, 5.5



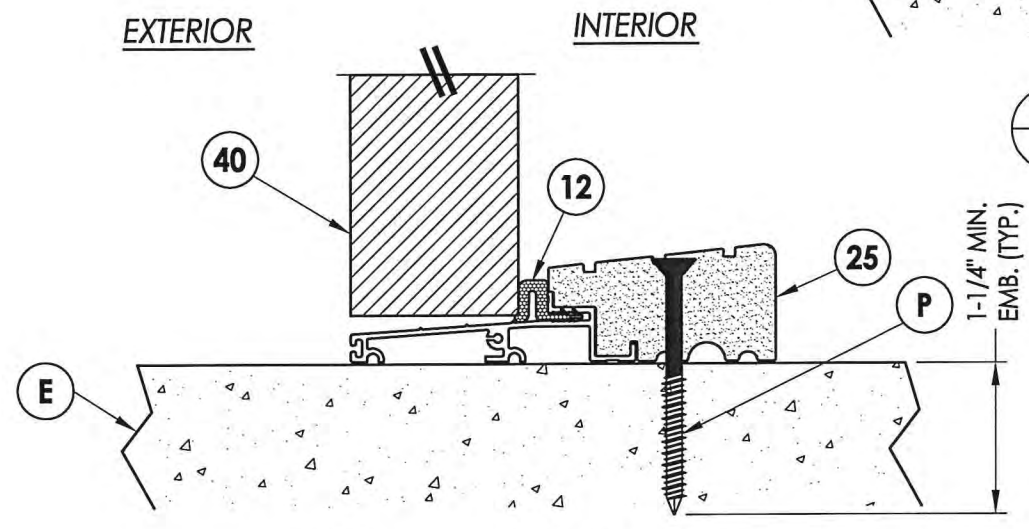
1 VERTICAL CROSS SECTION
5 Outswing shown
Inswing also approved



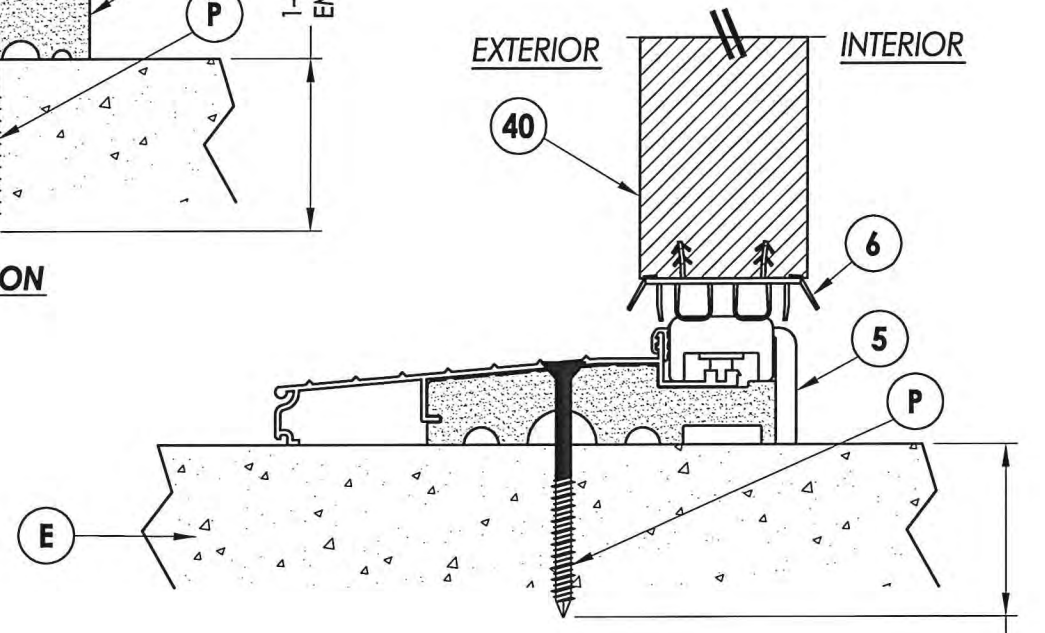
2 VERTICAL CROSS SECTION
5 Shown w/1X sub-buck



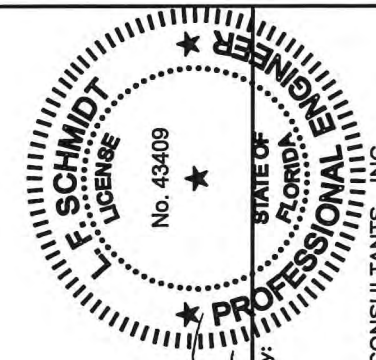
4 VERTICAL CROSS SECTION
5 Outswing sill



3 VERTICAL CROSS SECTION
5 Outswing sill - high dam



5 VERTICAL CROSS SECTION
5 Inswing sill



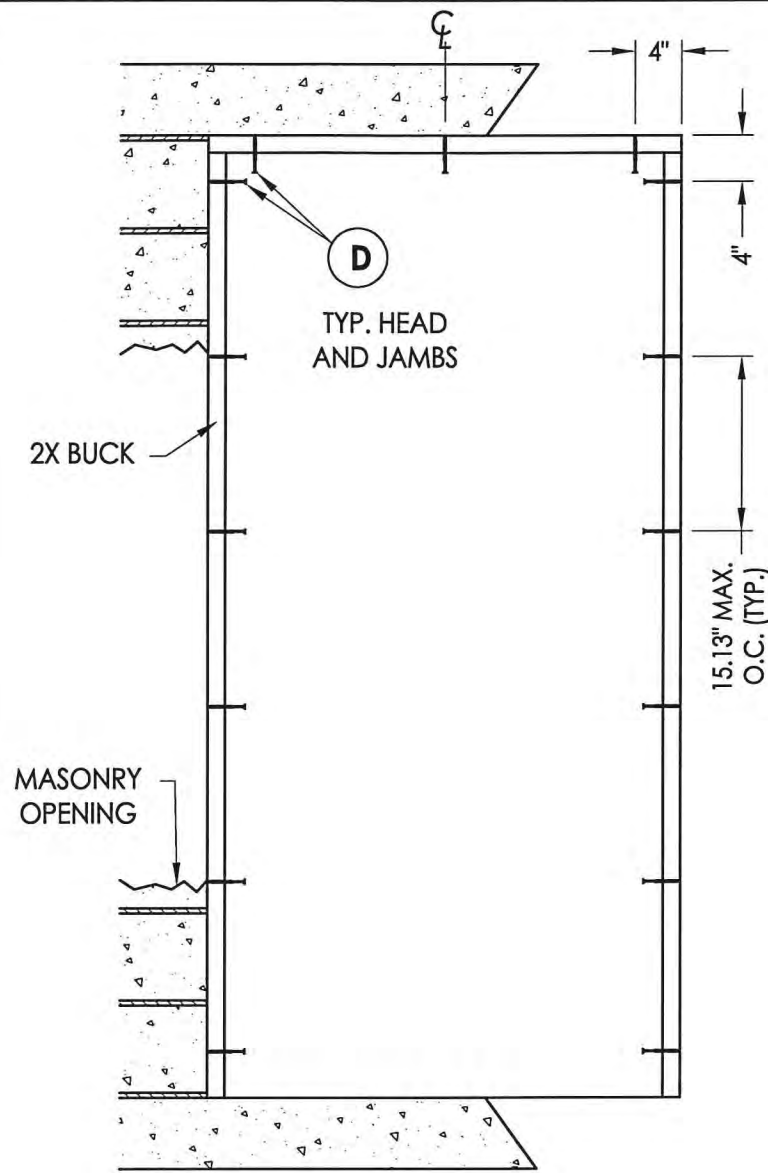
Documents Prepared By:
Lyndon F. Schmidt
P.E. No. 43409

R.W. BUILDING CONSULTANTS, INC.
P.O. Box 230, Valrico, FL 33595
Phone No.: 813.659.9197
FBPE C.A. No. 9813

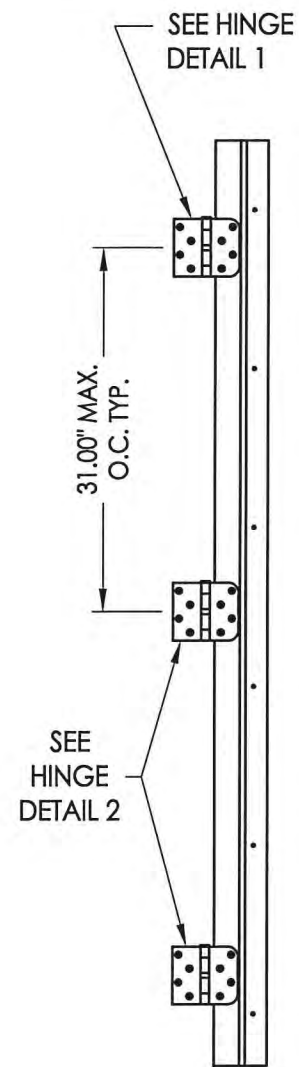
PRODUCT: TRINITY GLASS INT'L
PART OR ASSEMBLY: VERTICAL CROSS SECTIONS

NO.	DATE	BY
1	03/02/15	JK
	UPDATE TO 5TH ED. (2014)	FBC

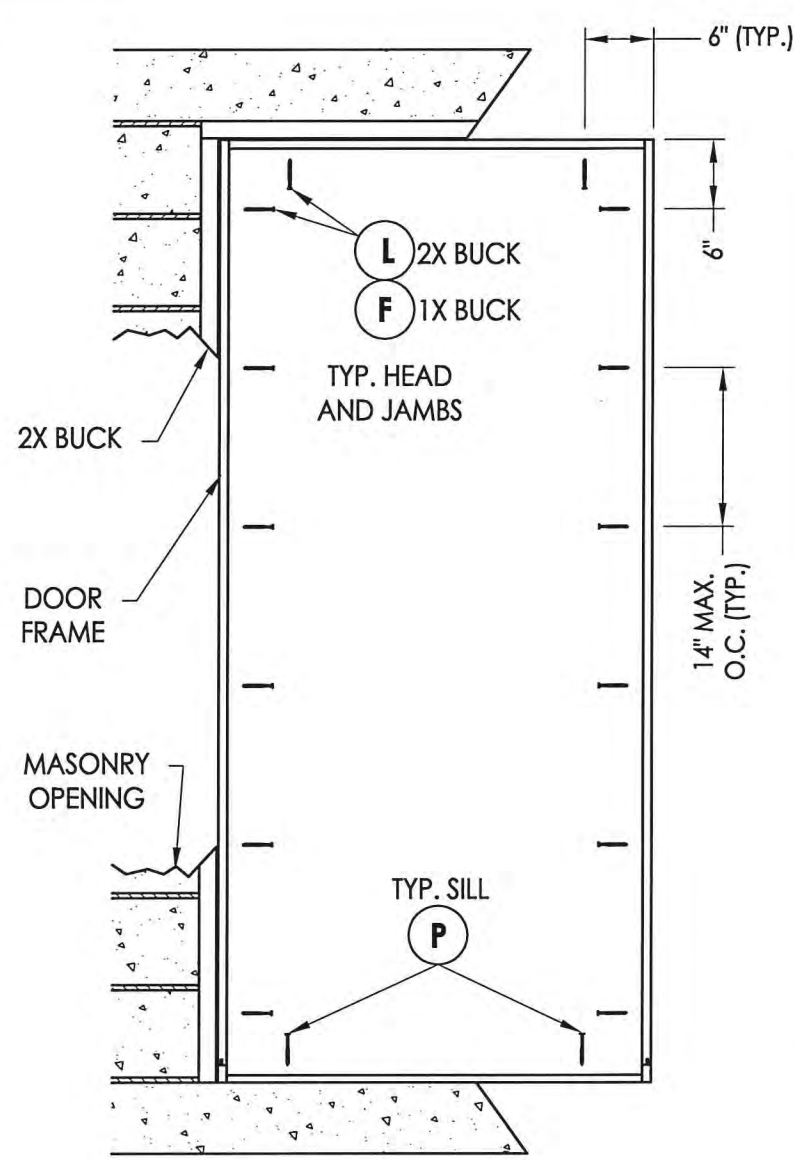
DATE: 2/27/12
SCALE: N.T.S.
DWG. BY: JK
CHK. BY: LFS
DRAWING NO.: FL-15255.13
SHEET 5 OF 8



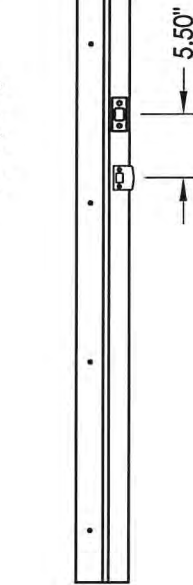
BUCK ANCHORING



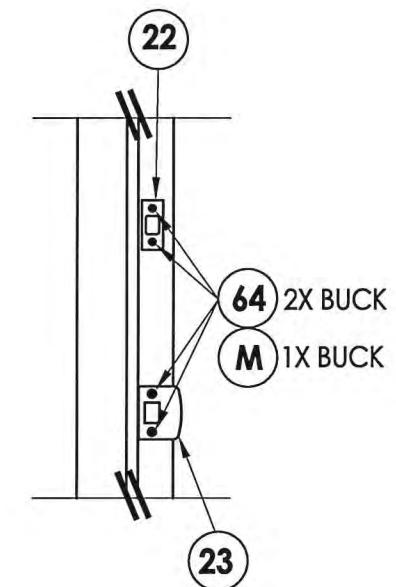
HINGE JAMB



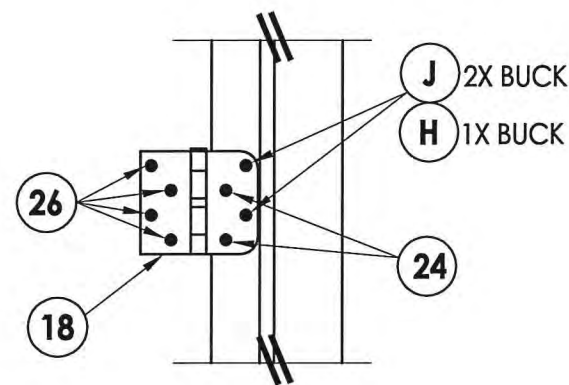
FRAME ANCHORING
Masonry construction



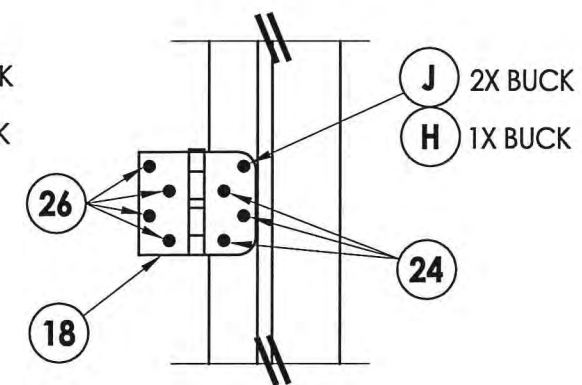
STRIKE JAMB



STRIKE PLATE DETAIL



HINGE DETAIL 1



HINGE DETAIL 2

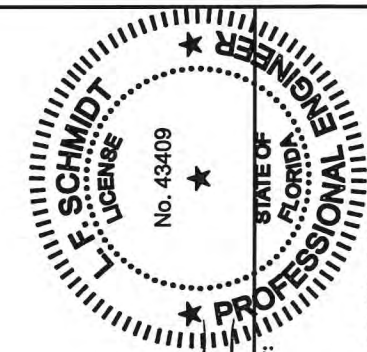
CONCRETE ANCHOR NOTES:

- Concrete anchor locations at the corners may be adjusted to maintain the min. edge distance to mortar joints.
- Concrete anchor locations noted as "MAX. ON CENTER" must be adjusted to maintain the min. edge distance to mortar joints, additional concrete anchors may be required to ensure the "MAX. ON CENTER" dimension are not exceeded.
- Concrete anchor table:

ANCHOR TYPE	ANCHOR SIZE	MIN. EMBEDMENT	MIN. CLEARANCE TO MASONRY EDGE	MIN. CLEARANCE TO ADJACENT ANCHOR
ITW TAPCON®	1/4"	1-1/4"	2"	4"
ELCO ULTRACON®	1/4"	1-1/4"	1"	4"
ITW TAPCON®	3/16"	1-1/4"	3"	1-1/2"

WOOD SCREW INSTALLATION NOTES:

- Maintain a minimum 5/8" edge distance, 1" end distance, & 1" o.c. spacing of wood screws to prevent the splitting of wood.



Documents Prepared By:
Lyndon F. Schmidt
P.E. No. 43409

R.W.
BUILDING CONSULTANTS, INC.
P.O. Box 230, Valrico, FL 33595
Phone No.: 813.659.9197
FBPE C.A. No. 9813

PRODUCT: TRINITY GLASS INT'L

PART OR ASSEMBLY:
BUCK AND FRAME ANCHORING

NO.	DATE	REVISIONS
1	03/02/15	UPDATE TO 5TH ED. (2014) FBC
		JK BY

DATE: 2/27/12

SCALE: N.T.S.

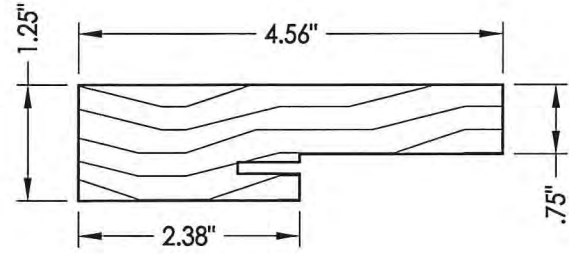
DWG. BY: JK

CHK. BY: LFS

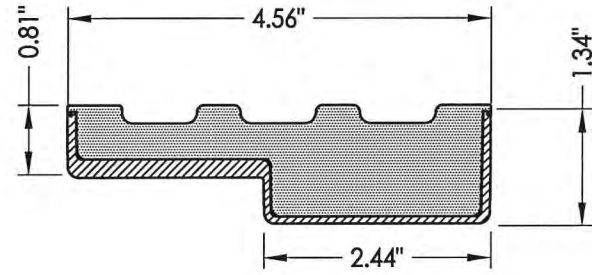
DRAWING NO.:

FL-15255.13

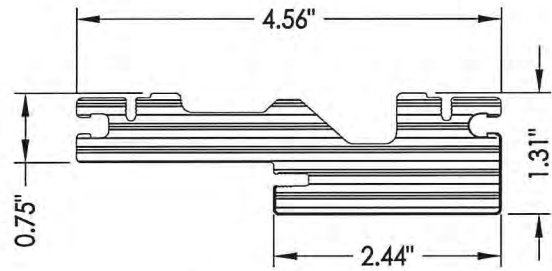
SHEET 6 OF 8



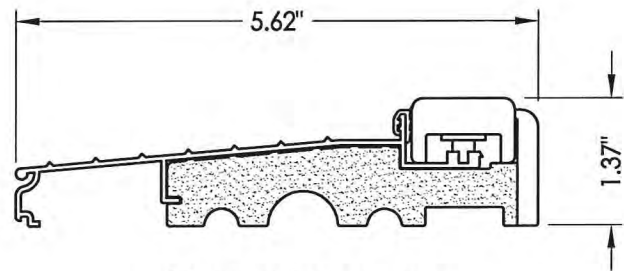
1 HEAD AND JAMBS
Wood



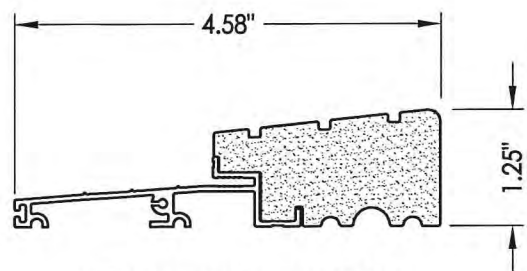
2 HEAD AND JAMBS
Composite PVC Base
w/ Fiberglass Wrap



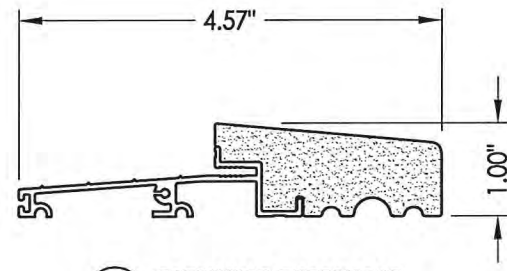
3 HEAD AND JAMBS
PVC



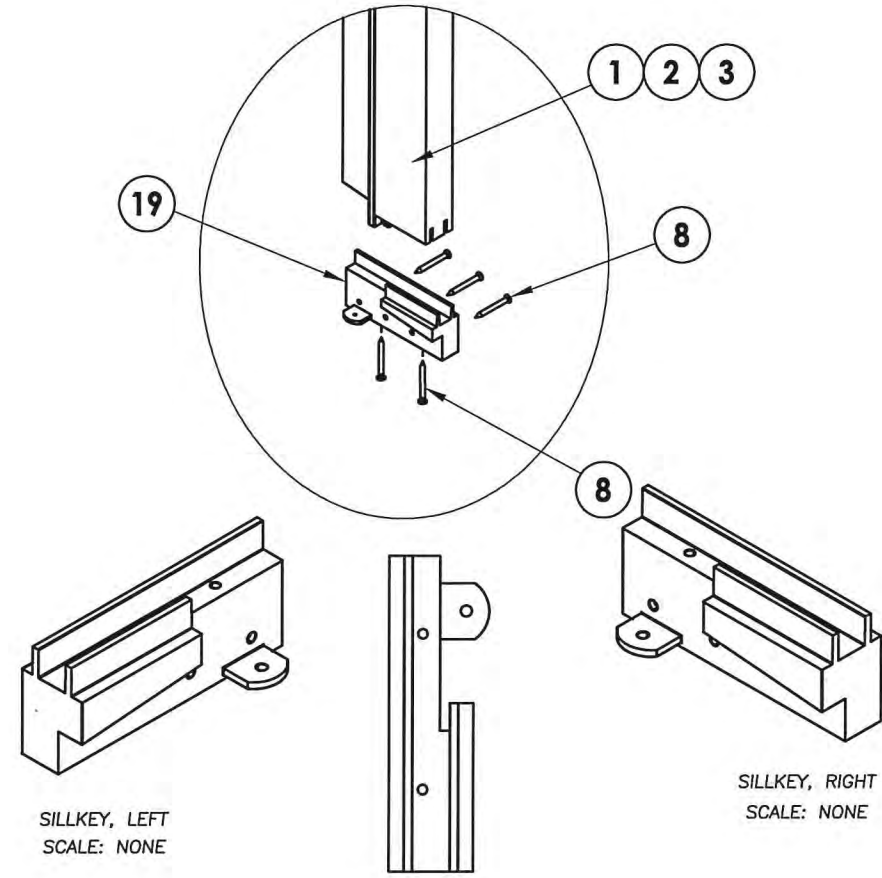
5 INSWING THRESHOLD



25 OUTSWING THRESHOLD
High-dam

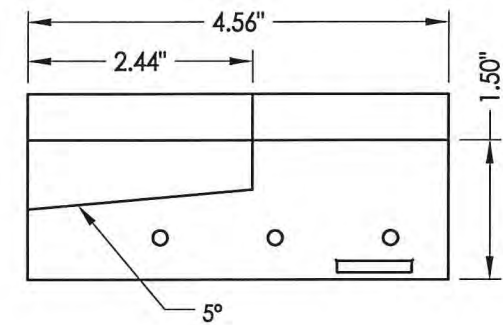
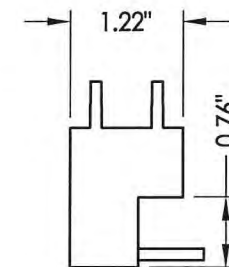
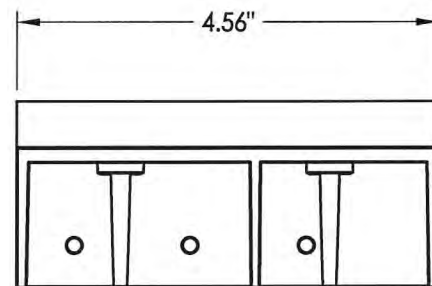


27 OUTSWING THRESHOLD

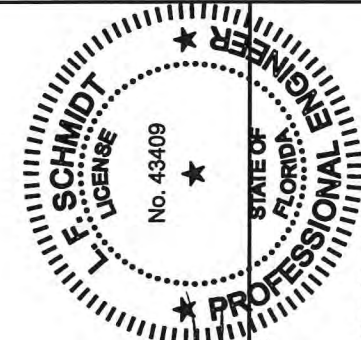


SILLKEY, LEFT
SCALE: NONE

SILLKEY, RIGHT
SCALE: NONE



19 SILLKEY DETAILS
Optional



Documents Prepared By:
Lyndon F. Schmidt
P.E. No. 43409

R.W. BUILDING CONSULTANTS, INC.
P.O. Box 230, Vairico, FL 33595
Phone No.: 813.659.9197
FBPE C.A. No. 9813

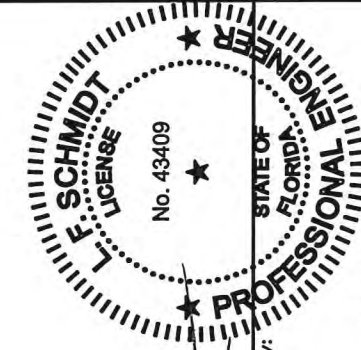
PRODUCT: TRINITY GLASS INT'L

PART OR ASSEMBLY: COMPONENTS

NO.	DATE	BY	REVISIONS
1	03/02/15	JK	UPDATE TO 5TH ED. (2014) FBC

DATE:	2/27/12
SCALE:	N.T.S.
DWG. BY:	JK
CHK. BY:	LFS
DRAWING NO.:	FL-15255.13
SHEET	7 OF 8

BILL OF MATERIALS		
ITEM #	DESCRIPTION	MATERIAL
A	1X BUCK SG >= 0.55	WOOD
B	2X BUCK SG >= 0.55	WOOD
C	1/4" MAX. SHIM SPACE	-
D	1/4" X 2-3/4" PFH ELCO OR ITW CONCRETE SCREW	STEEL
E	MASONRY - 3,000 PSI MIN. CONCRETE CONFORMING TO ACI 301 OR HOLLOW BLOCK CONFORMING TO ASTM C90	CONCRETE
F	1/4" X 3-3/4" PFH ITW CONCRETE SCREW	STEEL
H	1/4" X 3-1/4" PFH ITW CONCRETE SCREW	STEEL
J	#9 X 2-1/4" PFH WS	STEEL
L	#8 X 2-1/2" PFH WS	STEEL
M	3/16" X 3-1/4" PFH ITW CONCRETE SCREW	STEEL
P	1/4" X 2-3/4" PFH ELCO OR ITW CONCRETE SCREW	STEEL
1	JAMB (FINGER-JOINT PINE - SG >= 0.42)	WOOD
2	JAMB	PVC
3	JAMB	FIBERGLASS/COMP
5	INSWING THRESHOLD ALUMINUM W/ COMPOSITE SUBSTRATE	ALUMINUM
6	DOOR BOTTOM SWEEP	PVC
8	#6 X 1-1/4" PFH DRYWALL SCREW	STEEL
12	WEATHER STRIP QEBD650 Q-LON	-
18	3.983" X 4.0" HINGE MIN 0.098" THICK	STEEL
19	SILLKEY	PC/ASA
22	DEADBOLT STRIKE PLATE	STEEL
23	LATCH STRIKE PLATE	STEEL
24	#9 X 5/8" PFH WS	STEEL
25	OUTSWING HIGH-DAM THRESHOLD ALUMINUM W/ COMPOSITE SUBSTRATE	ALUM./ COMP.
26	#9 X 1.0" PFH WS	STEEL
27	OUTSWING THRESHOLD ALUMINUM W/ COMPOSITE SUBSTRATE	ALUM./ COMP.
40	DOOR PANEL - SEE DOOR PANEL DETAIL SHEET FOR CONSTRUCTION DETAILS	-
64	#8 X 2" PFH WOOD SCREW	STEEL



Documents Prepared By:
Lyndon F. Schmidt
P.E. No. 43409

R.W. BUILDING CONSULTANTS, INC.
P.O. Box 230, Vairico, FL 33595
Phone No.: 813.659.9197
FBPE C.A. No. 9813

PRODUCT: TRINITY GLASS INT'L
PART OR ASSEMBLY: BILL OF MATERIALS

NO.	DATE	DESCRIPTION	BY
1	03/02/15	UPDATE TO 5TH ED. (2014) FBC	JK

DATE: 2/27/12
SCALE: N.T.S.
DWG. BY: JK
CHK. BY: LFS
DRAWING NO.: FL-15255.13
SHEET 8 OF 8